



# LED Heliport Perimeter Light

## Applications

Medium intensity constant voltage elevated perimeter light helps mark helipad touchdown and lift-off area (TLOF).

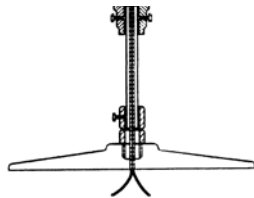
## Features

- Colored glass lens for easy daytime recognition.
- Double sealing system creates watertight head assembly.
- Rugged solid state components.
- Durable powder coat finish lasts longer.
- Reduces power consumption.
- Long-life LEDs.
- Max Load: 16 VA (~9-10W)
- Cord set sealed to prevent insect entry.
- Threaded 1.5" frangible coupling or optional 2" thread matches existing baseplates/stakes.



### Stake Mounted

30" Angle-Iron Mounting Stake (sold separately)



### Base Mounted

8.5" or 12" Base Plate (sold separately)



### Shallow Base Mounted

With this mounting option the overall installed height is less than 8 inches, complying with AC 150/5390-2B requirements for raised perimeter lights. 5" Shallow Base and 8.5" Base Plate (sold separately)



EL-861L-G-141V

## Ordering Codes

Fixture	Lens Colors <sup>1</sup>	Mounting Height <sup>2</sup>	Fixture Options
EL-861L	G: Green C: Clear B: Blue R: Red Y: Yellow	8: 8" (no frangible coupling) 14: 14" (standard) 20: 20" (extended) 24: 24" (extended) 30: 30" (extended)	1: 1.5" Frangible Coupling (FL-FC1.5) 2: 2" Frangible Coupling (FL-FC2.0) V: 90-260 VAC

<sup>1</sup> Green is currently the recommended color for heliport perimeter lights.

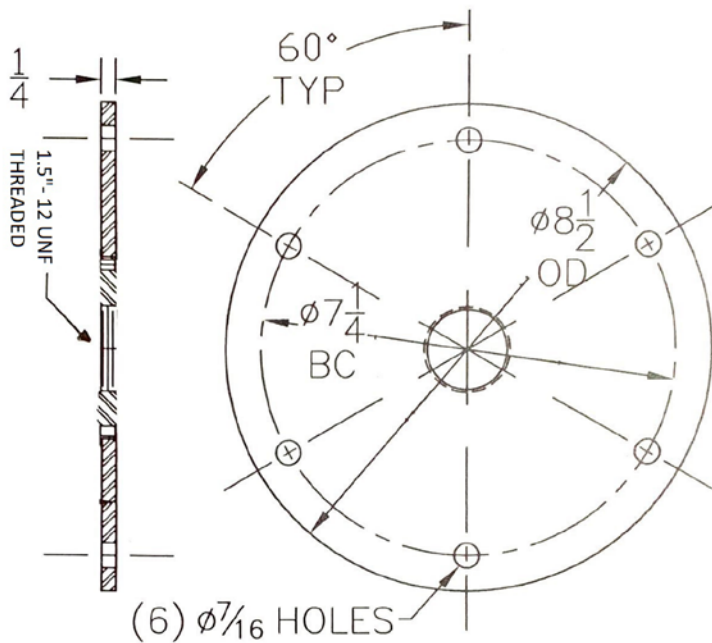
<sup>2</sup> Other heights available.



### Base Plate for L868AA 5" Shallow Base (BA-1935AA-25)

#### Specifications

- Dimensions: 8.5" diameter x .25" thick
- Bolt Circle: 7.25"
- Material: Hot rolled steel
- Finish: Aviation yellow powder coat
- Includes (6) 3/8-16 x 1" stainless steel hex head cap screws
- Part #: BA-1935AA-25



#### Mounting Details

