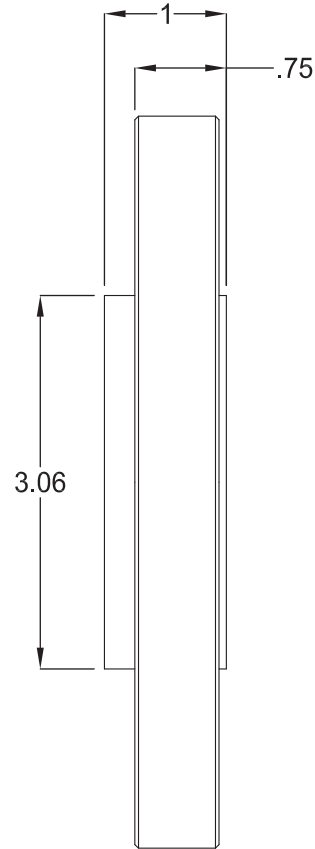
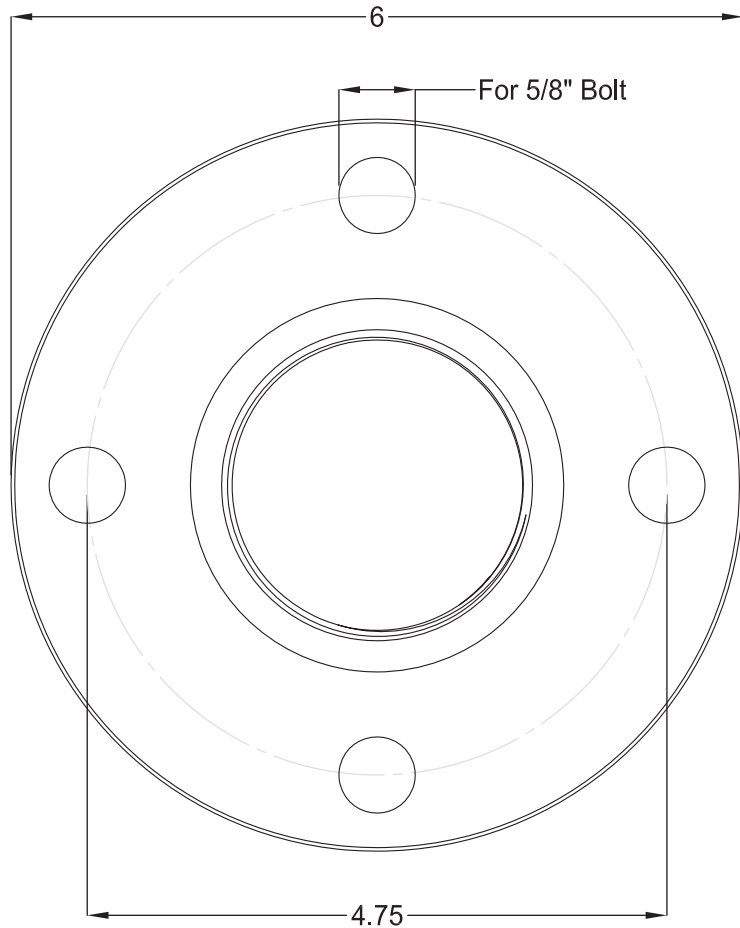
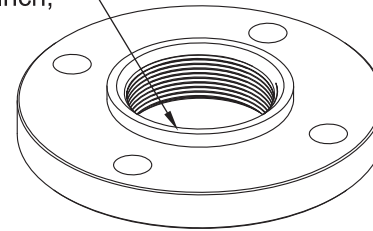


REVISIONS		DESCRIPTION	DATE	APPROVED
ZONE	REV			
N/A	0	Original Release	11/14/11	N/A

2 NPT Pipe Size, 11 1/2 Threads Per Inch,
0.76" Thread Engagement



Circular Floor Flange Anchor Bolts

It is recommended that 5/8" diameter anchor bolts be used with the L-806 Wind Cone Circular Floor Flange (WC-1067-0002). It is also recommended that the top of those anchor bolts be left out of your concrete foundation approximately 2" so they do not interfere with the frangible coupling.

The length of the anchor bolts, depth and diameter of your concrete foundation should be sized accordingly by a local civil engineer that is aware of your soil types and conditions for proper installation needs.

The L-806 frangible support will withstand a moment of 350 pound-feet (475 Nm) without damage and fail before a moment of 700 pound-feet (950 Nm).



L-806 Wind Cone
Circular Floor Flange
(WC-1067-0002)