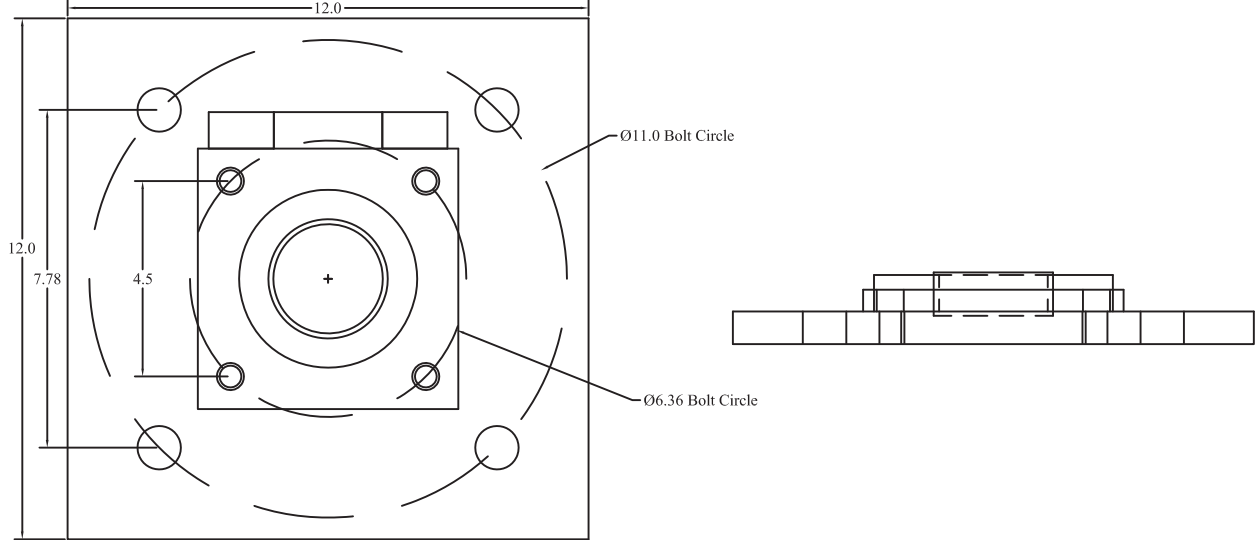
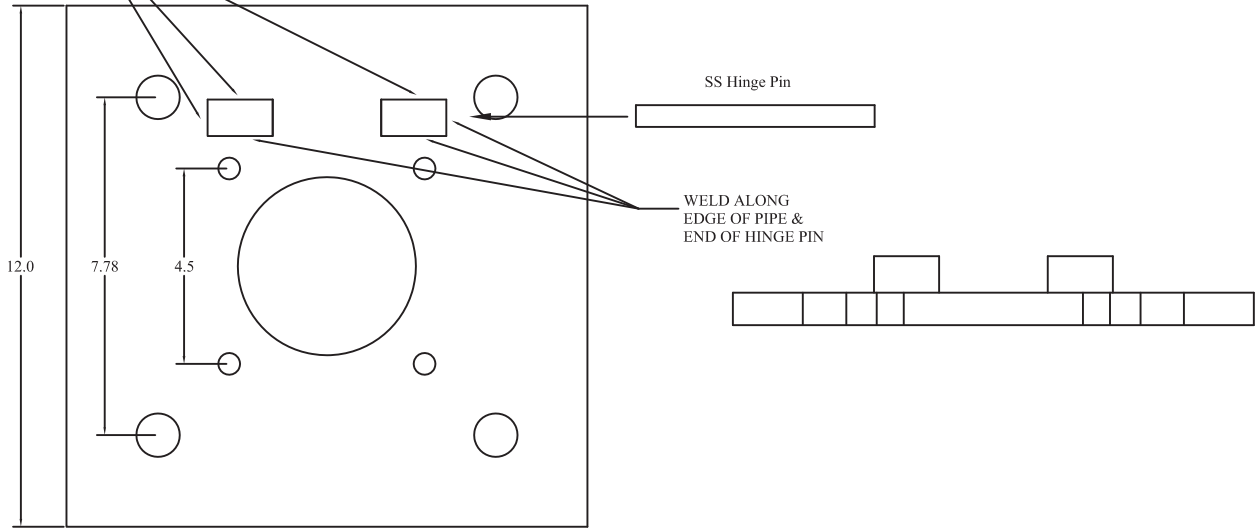
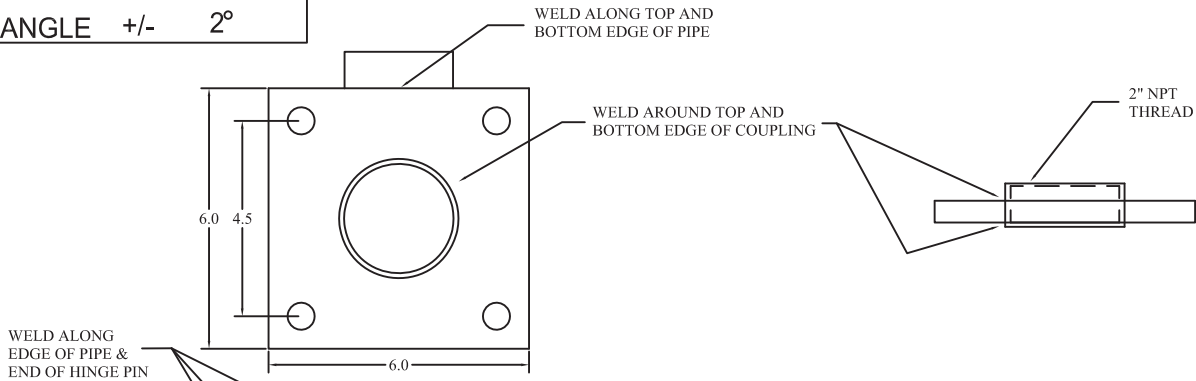


DIMENSION	TOLERANCE
X.XXX	+/- 0.005
X.XX	+/- 0.015
X.X	+/- 0.050
ANGLE	+/- 2°

REVISIONS				DATE	APPROVED
ZONE	REV	DESCRIPTION			
N/A	0	Original Release		5/27/09	N/A



		NAME: L806 Hinge Plate WC-1049-0014		
		SIZE A	FSCM NO.	PART NO.
Drawn By:		SCALE N/A	DATE 3/3/08	REV 0
		SHEET		