

Q-Explosion Proof Status Light

Certificates



Applications

The Q-Explosion Proof Status Light is a CAP437 compliant (826 cd, 120 FPM) flashing light for all offshore facilities. The status light must be connected to the Status Light Controller.

Technical Specifications

- Application: Helideck
- Hazardous Area: Zone 1 and 2
- Classification: Class 1 and 2
- Light Source: LED, flashing
- Light Color: Red, 630nm
- Light Intensity: 826 cd
- Flashes Per Minute: 120 FPM (via controller)
- Vertical Beam Profile: as per ICAO/CAP437
- Color Chromaticity: as per ICAO/CAP437
- Enclosure: Aluminum, powder coated (RAL 5015)
- Lens Dome: Borosilicate glass
- Mounting: Rigid, 4 x M8
- Input Voltage: From controller
- External Earthing: up to 4mm² / AWG 12
- Ambient Temp: -13°F to +140°F (-25° to +60° C)
- In Compliance With: CAP437
- Cable Glands Included: 1 x M25x1.5
- Cable Stops Included: 2 x M25x1.5
- Cable Outer Dimension: 12 - 19mm
- Cable: H07RN-F 3x2, 5mm²
- Consumption: 10 Watt
- Life Expectancy: 100,000+ hours
- Warranty: 2 Years
- IP Index: IP 67
- Weight: 9.26 lb. (4.2 kg)
- Dimensions: 7.2" x 7.2" x 5.9" (183x183x150mm) (LxWxH)
- Packaging Dimension: 7.87" x 7.87" x 7.87" (200x200x200mm) (LxWxH)

A) This product must be connected to the Q14RI03C Status Light Controller. The controller is sold separately.

B) When a complete helideck package is offered, the Status Light Controller can be built into the Q-Control WMX series.

Ordering Codes

Part Number
Q14RI01: Q-Explosion Proof Status Light



Certification

Status Light

Atex Certificate: ITS18ATEX103970X
 IECEx Certificate: IECEx ITS 18.0052X
 Ⓜ II 2 G Ex db op is IIC T6 Gb
 Ⓜ Ex d IIC T6

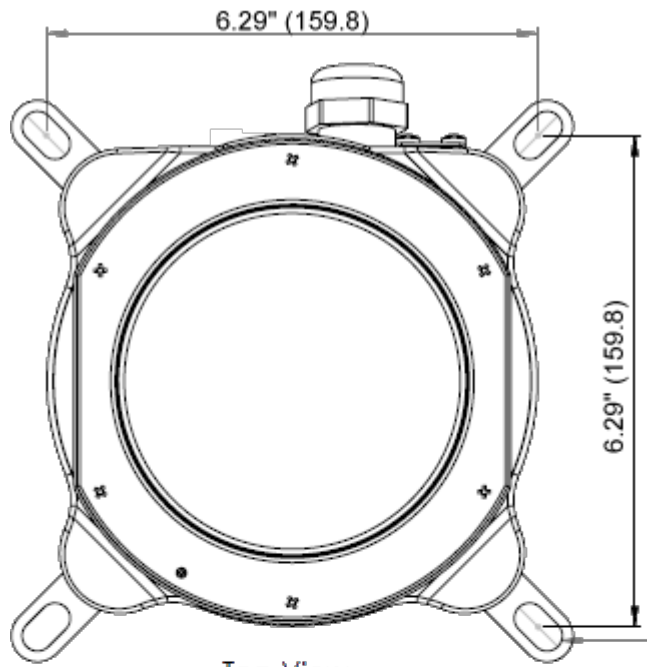
Cable Gland (2 x included)

Atex Certificate: SIRA13ATEX1068X, SIRA13ATEX4074X
 IECEx Certificate: IECEx SIR 13.0023X, IECEx SIM 14.0006
 Ⓜ II 2G, II 1D Ex d IIC Gb, Ex e IIC Gb, Ex ta IIIC Da
 Ⓜ II 3G Ex nR IIC Gc I M2 Ex d I Mb, Ex e I Mb
 Ex d IIC Gb, Ex e IIC Gb, Ex nR IIC Gc, Ex d I Mb, Ex e I Mb

Cable Stop (1 x included)

Atex Certificate: SIRA13ATEX1265X
 IECEx Certificate: IECEx SIR 13.0094X, IECEx SIM 15.0002X
 Ⓜ II 2G Ex d IIC Gb, Ex e IIC Gb, II 1D Ex ta IIIC Da
 Ⓜ IM2 Ex d I Mb, Ex e I Mb
 Ex d I Mb, Ex e I Mb; Ex d IIC Gb, Ex e IIC Gb, Ex ta IIIC Da

Dimensions



4X Ø10 Mounting hole, Mount M8

