



Flight Light Inc.  
2708 47th Ave.  
Sacramento, California, U.S.A.  
95822-3806

PH (916) 394-2800 FX (916) 394-2809  
TF (800) 806-3548 EM sales@flightlight.com

## HL-492L 6" Helideck/Helipad Semi-Flush Perimeter Inset Light

- Compliances**
- FAA AC 150/5390-2D Heliport Design Guide
  - Exceeds FAA AC 150/5390-2D Appendix G Specifications
  - ICAO Annex 14, Volume II for TLOF
  - UL 1598 Standard (only "ACUL" lamp is UL listed)
  - Transport Canada TP14371, AGA 7.16
  - IP67 Compliant
  - Buy American Act Compliant

### Applications

Semi-flush perimeter light helps mark helipad touchdown and lift-off area (TLOF) and/or final approach and takeoff area (FATO) for metal helidecks and pavement heliports.

### Why Our HL-492L is Better

- Recessed, semi-flush mounted, allows for obstruction-free movement of equipment and personnel.
- Small 6" [15.24 cm] fixture easily drops into metal helideck, fastens with 4 bolts.
- Corrosion resistant hard anodized finish suitable for marine environments and available in many different colors.
- Fixture sealed to bottom cover to prevent moisture intrusion.
- Lightweight and robust aluminum alloy construction.
- Prism removal and replacement achieved without need for adhesives or sealants.
- Pre-focused optics simplify maintenance.
- Cost-saving, energy-efficient LEDs.
- Power adapter included.
- Low maintenance - LED light source has 50,000 hour lifetime (50X longer than halogen).
- Monochromatic output of LEDs is more conspicuous than halogen.
- Pilots prefer LED over halogen because of increased visibility.
- Direct retrofit, drop in replacement. Factory retrofits available for your existing halogen fixtures.
- With our Dimming Controller option, the lights can be dimmed at night to reduce glare - select from three brightness levels.
- Available in 10-30VDC, 120-240VAC or 277VAC versions.

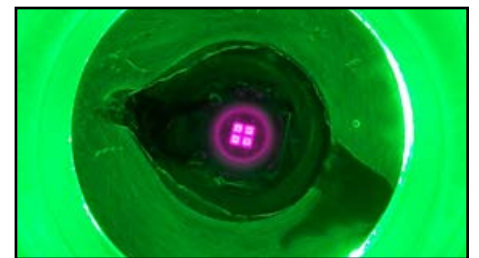


*Hard Anodized for Corrosion Resistance: Custom colors are available to match your design specifications.*

- Available for non-heliport applications such as architectural lighting.

### Specifications

- Anodization: Aluminum Fixtures, machined stock 6061T6. Hard Anodized Mil 8625 Type III, 1 mil thick; Class 1 for clear, Class 2 for color.
- Low profile: .86" [2.18 cm] (base can mounted), 1.11" [2.82 cm] (helideck mounted).
- Diameter: 6" [15.24 cm]
- Bolt circle: 5.25" [13.34 cm]
- Power consumption: AC input = 7.2VA; DC input = 4W; IR AC input = 10.8VA; IR DC input = 7.2W
- Light channel within .2" (.51 cm) of grade.
- Fixture grounding: internal.
- Includes 48" [122 cm] of UL SO Cable 16AWG (UL Version).
- Weight: 3.1 lb. (1.4 kg). Carton size: .3 cu. ft. (.008 cu. meters); 8" (d) x 8" (w) x 8" (h) (20.3 cm (w) x 20.3 cm (d) x 20.3 cm (h))
- Temperature range: -4°F/+131°F (-20°C/+55°C).



### Visible/Infrared LED Option

- Night Vision Goggle (NVG) compatible.
- Infrared Output:
  - Exceeds SAE Aerospace recommendations for Landing/Taxi Lights.
  - Usable beam width: 55° to 125° vertical, 360° horizontal.
  - Output wavelength: 850nm.
  - Infrared does not dim with the "DCD" dimming option.
- Visible Output:
  - Exceeds ICAO TLOF requirements for green LEDs (see photometric chart).
  - Usable beam width: 30° vertical, 360° horizontal.
  - Output wavelength: 530nm.

Visit our web site: [www.flightlight.com](http://www.flightlight.com)



**Flight Light Inc.**  
 2708 47th Ave.  
 Sacramento, California, U.S.A.  
 95822-3806

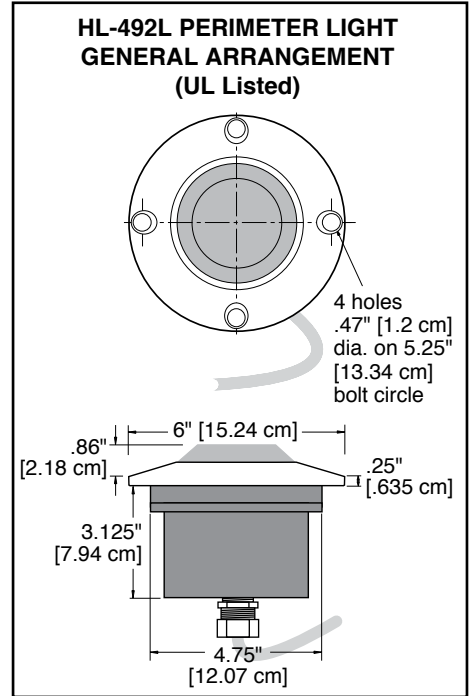
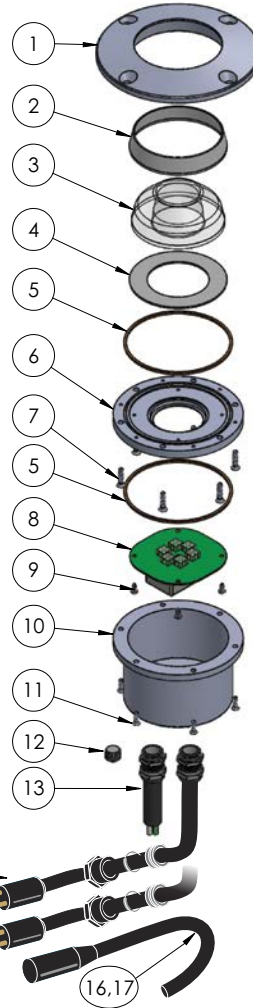
**PH (916) 394-2800**    **FX (916) 394-2809**  
**TF (800) 806-3548**    **EM sales@flightlight.com**

**HL-492L**  
**6" Helideck/Helipad Semi-Flush**  
**Perimeter Inset Light**

**Common Replacement Parts**

- 1.....HL-492L Top Casting.....16-492MA
- 2.....Prism Gasket .....65-033090
- 3.....Clear Prism Dome .....20-016080
- 4.....Prism Clamp Teflon Gasket .....27-492CG
- 5.....O-ring .....27-9396K175
- 6.....HL-492L Prism Clamp .....16-492-PLTMA
- 7.....8-32 0.75" Long Screws.....NS-S0832X063PFMSP
- 8.....AC LED Replacement Kit.....HL-XL9KITB-AC\*
- ALT ...DC LED Replacement Kit .....HL-XL9KITB-DC\*
- ALT ...UL LED Replacement Kit.....HL-XL9KITB-UL\*
- ALT ...Dimming LED Replacement Kit.....HL-XL9KITB-D\*
- 9.....No. 6 Screws .....NS-S0632X025PPMSP
- 10.....HL-492L Bottom Casting.....16-492-BOTTOM2 5/8ma
- 11.....6-32 0.5" Long Screw .....NS-S0632X050PFMSP
- 12.....Pipe Fitting.....HA-PP000001
- 13.....UL Cable Assembly .....20-CABLE-ASSY-UL
- 14.....2-Pin Male Connector .....TRC-10518-117D002\*\*
- 15.....3-Pin Male Connector (DC Dimming only) ..80-013031\*\*
- 16.....2-Conductor Female Connector .....TRC-10519-07-021\*\*
- 17.....3-Conductor Female Connector (DC Dimming only) ..80-012022\*\*

\* For LED Replacement Kits, X = Color  
 \*\* Not UL listed.



**Base Can**

A 6" [15.24 cm] deep base can is required for pavement installations. Part #: BA-525-6



**Photometric Comparison with  
 ICAO Requirements for TLOF**

Vertical Angle (Deg)	Avg. Intensity (Cd)	ICAO Spec (Cd)
2	70.8	15
5	66.5	30
10	48.3	15
13	36.6	8
20	23.9	3

**Ordering Codes**

Fixture	LED Color	Power/Compliance	Fixture Custom Color <sup>5</sup>
<b>HL-492L</b>	<b>G:</b> Green (std) <sup>1</sup> <b>B:</b> Blue <b>R:</b> Red <b>W:</b> White <b>Y:</b> Yellow <b>IR:</b> Infrared <sup>2</sup>	<b>AC:</b> 120-240VAC <sup>4</sup> <b>AC3:</b> 277VAC <sup>4</sup> <b>ACUL:</b> 120-240VAC <sup>3</sup> <b>DC:</b> 10-30VDC <sup>4</sup> <b>DCD:</b> 10-30VDC Dimming <sup>4</sup>	<b>BK:</b> Black <b>B:</b> Blue <b>G:</b> Green <b>R:</b> Red <b>Y:</b> Yellow (hard gold)

<b>HL-492L</b>			
----------------	--	--	--

<sup>1</sup> Green is currently the recommended color for heliport perimeter lights.  
<sup>2</sup> Infrared must be used in conjunction with visible LEDs. Infrared does not dim with the "DCD" dimming option.  
<sup>3</sup> Only "ACUL" lamp option can be UL listed. Connector not included. UL labeled fixtures only available for shipment to U.S. and Canada.  
<sup>4</sup> Lamp option is not UL listed.  
<sup>5</sup> Dark gray hard anodized is the standard finish.

**Visit our web site: [www.flightlight.com](http://www.flightlight.com)**



Flight Light Inc.  
2708 47th Ave.  
Sacramento, California, U.S.A.  
95822-3806

PH (916) 394-2800    FX (916) 394-2809  
TF (800) 806-3548    EM sales@flightlight.com

**HL-492L**  
**6" Helideck/Helipad Semi-Flush**  
**Perimeter Inset Light**

### How to Specify the HL-492L LED Helideck Semi-Flush Perimeter Light

The fixture shall be model HL-492L-(LED color)-(voltage) as marked by Flight Light Inc.

#### Construction:

- The fixture shall be 6" [15.24 cm] diameter, 5.25" [13.34 cm] bolt circle.
- The fixture shall be omnidirectional.
- The fixture shall be aluminum, hard anodized (Type III), 1 mil thick; Class 1 for clear, Class 2 for color.
- The fixture shall have a modular design comprised of 2 major parts: Bottom Casting and Top Casting. The Bottom and Top Casting are sealed by means of a Prism Clamp and O-ring.
- Hardware shall be 304 stainless steel.
- Fixture shall ground internally.
- The fixture shall include 48" [122 cm] of UL SO Cable 16AWG (UL Version).

#### LED/Light Cavity:

- LED lifetime expectancy: 50,000 hours.
- Power consumption shall not exceed 7.2VA for AC lights, 4W for DC lights, 10.8VA for IR AC lights and 7.2W for IR DC lights.
- Infrared output wavelength: 850nm
- Infrared output usable beam width: 55° to 125° vertical, 360° horizontal
- Visible output wavelength: 530nm
- Visible output beam width: 30° vertical, 360° horizontal

#### Compliances:

- IP67 Compliant
- Buy American Act Compliant
- FAA AC 150/5390-2D Heliport Design Guide
- ICAO Annex 14, Volume II for TLOF
- Optical performance exceeds FAA AC 150/5390-2D Appendix G Specifications
- Transport Canada TP14371, AGA 7.16

#### Options (to be specified per each project):

- Infrared (must be used in conjunction with visible LEDs)
- Dimming (only available with the Flight Light controller)
- UL Listed fixture
- Fixture custom color (default color is dark gray).
- 6" [15.24 cm] Deep Base Can for ground installation.

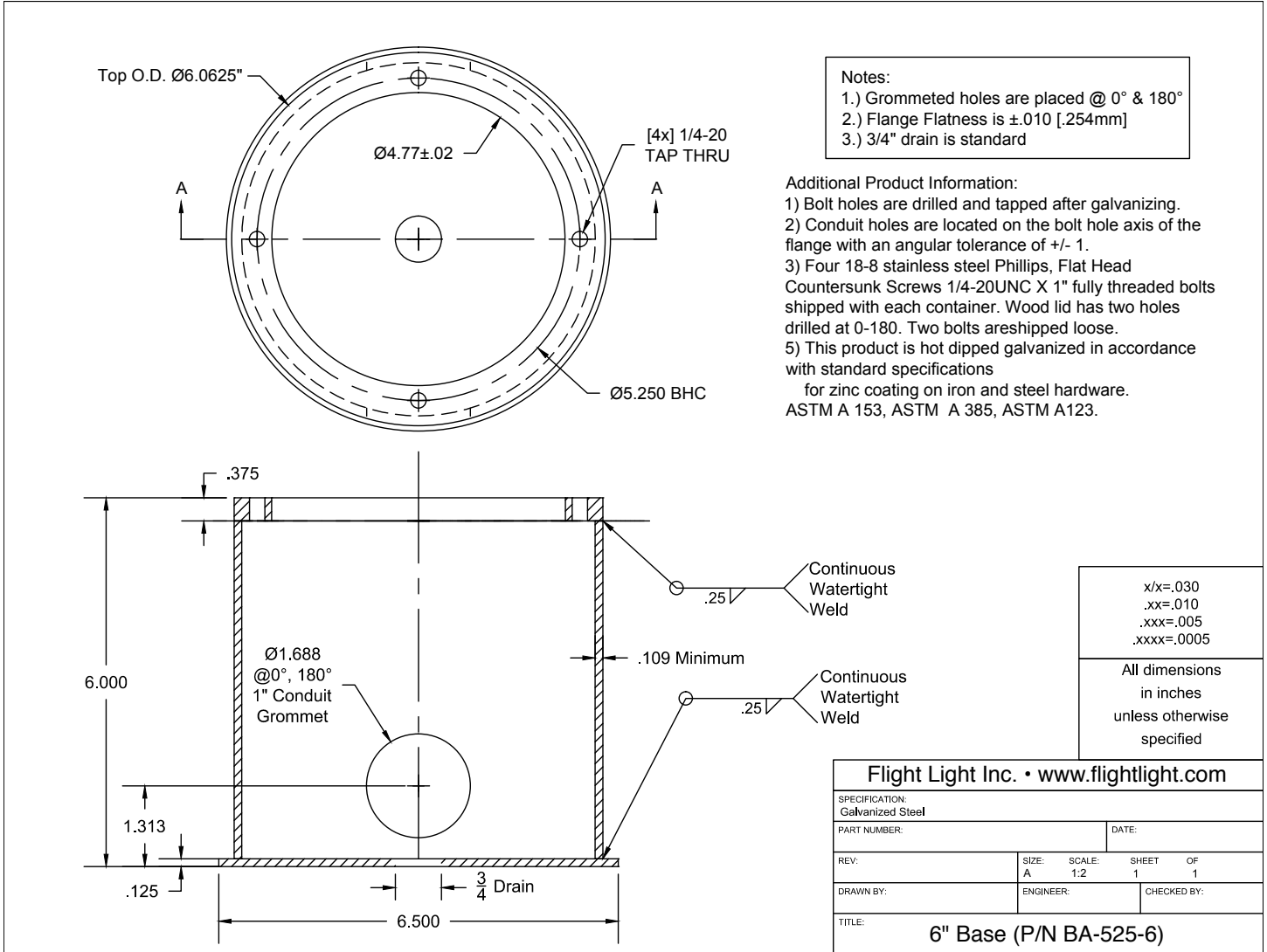
**Visit our web site: [www.flightlight.com](http://www.flightlight.com)**



Flight Light Inc.  
 2708 47th Ave.  
 Sacramento, California, U.S.A.  
 95822-3806

PH (916) 394-2800 FX (916) 394-2809  
 TF (800) 806-3548 EM sales@flightlight.com

**HL-492L**  
**6" Helideck/Helipad Semi-Flush**  
**Perimeter Inset Light**



**Visit our web site: [www.flightlight.com](http://www.flightlight.com)**