



Flight Light Inc.
2708 47th Ave.
Sacramento, California, U.S.A.
95822-3806



PH (916) 394-2800 FX (916) 394-2809
TF (800) 806-3548 EM sales@flightlight.com

WCH Series Wind Cone AC and Solar Powered L-807 (Rigid)

L-807 & L-807(L) Wind Cone

Compliance

FAA: L-807 AC 150/5345-27
(Current Edition)

FAA Engineering Brief 67

ETL Certified

ICAO: Annex 14, Vol. 1, para. 5.1.1
(Size 2 only)

Applications

Provides visual indication of wind direction and velocity at a location on an airfield. FAA Size 2 wind cones are used at the central location on the airfield. FAA Size 1 wind cones are used on smaller airfields and heliports.

Key Specifications

- Available externally lighted, internally lighted, or unlighted.
- LED or halogen lamps.
- All LED models feature:
 - 50,000 to 100,000 hour lamp life, virtually maintenance free. 4 year warranty on lamps.
 - Multiple lamp circuits, for improved reliability.
 - 80-90% less power consumption than halogen lamps.
 - A long-life LED obstruction light.
 - Integral power-adaptor on series-circuit models.
- An incandescent L-810 obstruction light is included on halogen lighted models.
- Size 1 (18" x 8' long) or Size 2 (36" x 12' long) wind socks.
- The pole is center-hinged, with 4" diameter steel on the bottom, and 3" diameter steel on the top.

- A center-mounted braked winch allows 1-person maintenance.
- The four anchor bolts are a one-piece welded assembly, ready to drop in the ground.
- The aluminum basket is welded, one piece, with pre-installed bearings.
- Raincaps protect the bearings from weather.
- The nylon sock is treated for rot, mildew and water repellency.
- Powder coat painted international orange.
- Marine Treated Option available for increased useful life in corrosive environments.



Marine Treated Option

Recommended for high salt and other corrosive environments. Includes: marine treated powder coat, stainless steel hardware throughout.



Solar Power Supply Option

A Solar Power Supply (SPS) is now available for WCH Series wind cones. See page 3 for details.



External LED Light



Internal LED Light

Visit our web site: www.flightlight.com



Flight Light Inc.
2708 47th Ave.
Sacramento, California, U.S.A.
95822-3806



**WCH Series Wind Cone
AC and Solar Powered
L-807 (Rigid)**

PH (916) 394-2800
TF (800) 806-3548

FX (916) 394-2809
EM sales@flightlight.com

Ordering Code

Catalog Number	See Notes	FAA Size	FAA Style	Power	Lamp Type	Total VA	Total Watts	Weight (lb.)	Lamp
UNLIGHTED									
WCH-807-1-0-0-N		1	II Unlighted	None	None	0	0	187	None
WCH-807-2-0-0-N		2	II Unlighted	None	None	0	0	199	None

EXTERNALLY LIGHTED

WCH-807-1-EX-120-5		1	I-A External	108-132 VAC	LED	15	14	198	9200-0032
WCH-807-1-EX-230-5	2	1	I-A External	207-253 VAC	LED	15	14	198	9200-0044
WCH-807-1-EX-66-5	4	1	I-A External	2.8-6.6 AMP	LED	58	52	197	9200-0034
WCH-807-1-EX-12-5		1	I-A External	11.5-13 VDC	LED	6	6	197	9200-0033
WCH-807-2-EX-120-5		2	I-A External	108-132 VAC	LED	22	21	210	9200-0035
WCH-807-2-EX-230-5	2	2	I-A External	207-253 VAC	LED	22	21	210	9200-0043
WCH-807-2-EX-66-5	4	2	I-A External	2.8-6.6 AMP	LED	58	52	209	9200-0037
WCH-807-2-EX-12-5		2	I-A External	11.5-13 VDC	LED	10	10	210	9200-0036

INTERNALLY LIGHTED

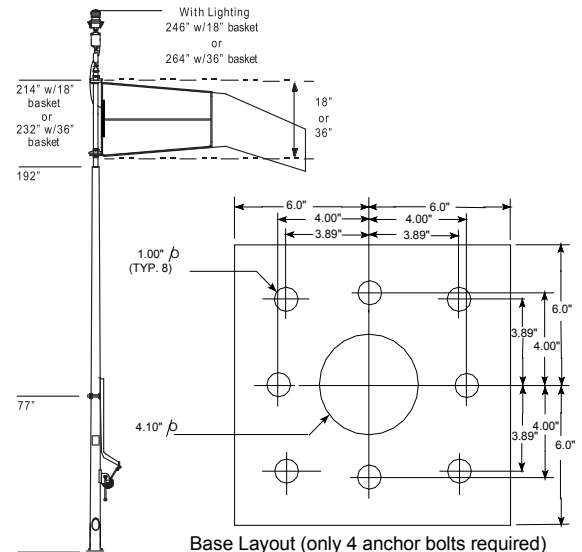
WCH-807-1-IN-120-5		1	I-B Internal	108-132 VAC	LED	32	19	200	9200-0038
WCH-807-1-IN-230-5	2	1	I-B Internal	198-265 VAC	LED	40	21	200	9200-0045
WCH-807-1-IN-66-5	4	1	I-B Internal	2.8-6.6 AMP	LED	72	65	198	9200-0039
WCH-807-1-IN-12-5	2	1	I-B Internal	11.5-13 VDC	LED	6	6	197	9200-0041
WCH-807-1-IN-120-N	2	1	I-B Internal	108-132 VAC	Halogen	316	316	198	3400-0100
WCH-807-2-IN-120-5		2	I-B Internal	108-132 VAC	LED	60	32	212	9200-0040
WCH-807-2-IN-230-5	2	2	I-B Internal	198-265 VAC	LED	76	36	212	9200-0046
WCH-807-2-IN-66-3	3	2	I-B Internal	2.8-6.6 AMP	LED	95	88	210	9200-0031
WCH-807-2-IN-12-5	2	2	I-B Internal	11.5-13 VDC	LED	10	10	210	9200-0042
WCH-807-2-IN-120-N	2	2	I-B Internal	108-132 VAC	Halogen	516	516	210	3400-0100

Notes:

1. Power consumption specifications include the L-810 obstruction light.
2. This FAA Style cannot be ETL certified.
3. Requires 200 watt L-830 transformer, sold separately.
4. Requires 100 watt L-830 transformer, sold separately.
5. Standard sock color is Orange. Add "-RW" for Red/White sock.
6. Ships approximately 3 weeks after receipt of order.

Options & Spare Components

Description	Part Number
"Marine Treated" (recommended for corrosive environments, typically within 100 miles of saltwater). Includes: marine treated powder coat, stainless steel hardware throughout.	L807-Marine Treated
Spare Wind Sock (18" dia. x 8 ft)	WS-AS1896
Spare Wind Sock (36" dia. x 12 ft)	WS-AS3612
Lamp, 120V Incandescent	
Obstruction Light	LA-22483-2



Visit our web site: www.flightlight.com

WCH Series Wind Cone Solar Power Supply

Applications

The Solar Power Supply (SPS) is a self-contained photovoltaic power source for the WCH Series L-806 and L-807 wind cones.

Features

- Eliminates expensive underground trenching and wire installations for wind cones
- Easy installation: pre-set solar angle, pre-assembled anchor for easy mounting
- Fully sunlight powered, zero energy cost operation
- 10 day nominal battery autonomy
- Long life premium AGM solar batteries (5-10 years expectancy)
- 100 to 300 A-H AGM battery, designed for 4000 charge/discharge cycles
- 100 or 200 watt solar panel, with 12-year/90% and 25-year/80% power warranty
- Custom designed for the installation site, using 30-year worst case insolation and temperature extremes
- Insulated battery compartment to preserve battery life
- MPPT charge controller, with custom-programmed temperature compensation
- On-board indicators for battery, charging and system status
- Dual-post mount, with frangible couplings, designed to withstand ASCE Exposure C wind loads
- Temperature range: -49 to +131 °F (-45 to +55 °C)
- Marine treated option available for corrosive environments (upgrades enclosure to aluminum, stainless hardware throughout, marine treated powder coat)
- Manufactured in the USA

Installation Information

The SPS is attached to a 4-bolt anchor assembly (included), mounted in a concrete slab. Power is supplied to the wind cone by a cable in liquid-tight conduit through one of the SPS mounting legs.

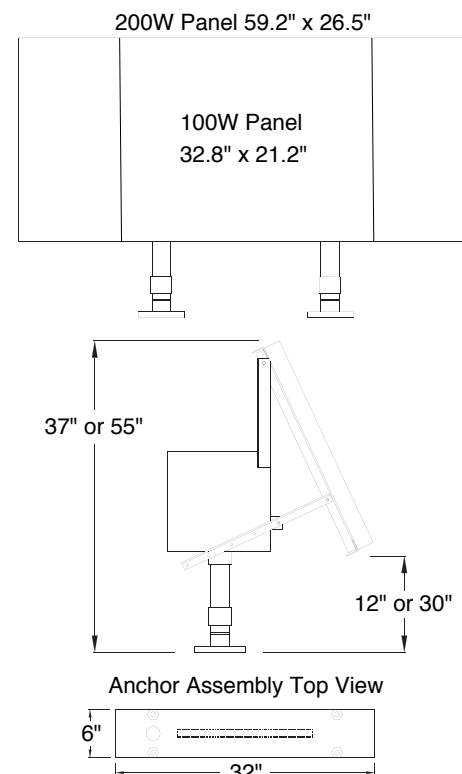
Ordering Information

Product	Description
WCH-SPS-100-2-12	100 Watt Panel, 2 Batteries, 12" Legs
WCH-SPS-100-2-30	100 Watt Panel, 2 Batteries, 30" Legs
WCH-SPS-200-2-12	200 Watt Panel, 2 Batteries, 12" Legs
WCH-SPS-200-2-30	200 Watt Panel, 2 Batteries, 30" Legs
WCH-SPS MARINE	Marine treated option for installations within 100 miles of the sea. Aluminum enclosure, marine treated powder coat, stainless steel hardware throughout.

NOTE: Each SPS is custom configured for the proper solar panel, battery, temperature compensation and height for the installation location. Please contact Flight Light to configure the correct model for your location.



WCH-SPS



Replacement Parts

Part #	Description
WCH-7800-0004	Solar Panel, 100 Watt
WCH-7800-0005	Solar Panel, 200 Watt
WCH-1300-0081	Battery, PVX-840T
WCH-4500-0020	Charge Controller
WCH-7800-0006	Photocell
WCH-1800-0036	Frangible Coupling
WCH-2300-0024	Fuse, 10A 32V

Shipping Information

- Unpackaged Weight: 186-268 lb.
 - Shipping Weight: 266-388 lb.
 - International Shipping Weight: 466-588 lb.
 - Shipping Volume: 60" L x 40" W x 44" H
- Can be shipped with wind cone in same crate.