

# Q-Explosion Proof Perimeter Light

## Certificates



## Applications

The Q-Explosion Proof Perimeter Light is a CAP437 compliant (50 cd) fixture for hazardous areas (up to zone 1) at offshore facilities. The fixture is available in several configurations such as 100-240 VAC and 24 VDC.

## Technical Specifications

- Application: Helideck
- Hazardous Area: Zone 1 and 2
- Classification: Class 1 and 2
- Light Source: LED, steady burning
- Light Color: Green, 530nm
- Light Intensity: 50 cd
- Vertical Beam Profile: as per CAP437/ICAO
- Color Chromaticity: as per CAP437/ICAO
- Enclosure: Aluminum, powder coated
- Mounting: Rigid, 4x M8
- Input Voltage: 1) 100-240 VAC, 50-60 Hz  
2) 24 VDC
- External Earthing: up to 4mm<sup>2</sup>
- Ambient Temp: -13°F to +140°F (-25° to +60° C)
- In Compliance With: CAP437/ ICAO
- Cable Glands Included: 2 x M25x1.5
- Cable Stops Included: 1 x M25x1.5
- Cable Outer Dimension: 11.1 - 20.0mm
- Consumption: 24 Watt
- Life Expectancy: 100,000+ hours
- IP Index: IP 67
- Weight: 4.85 lb. (2.20 kg)
- Dimensions: 7.2" x 7.2" x 6.1" (183x183x155mm) (LxWxH)
- Packaging Dimension: 7.87" x 7.87" x 7.87" (200x200x200mm) (LxWxH)

## Ordering Codes

Part Number	Input Power
<b>Q10RI01:</b> Q-Explosion Proof Perimeter Light	<b>11:</b> 100-240 VAC <b>12:</b> 24 VDC



## Certification

### Explosion Proof Perimeter Light

Atex Certificate: ITS18ATEX103970X  
 IECEx Certificate: IECEx ITS 18.0052X  
 Ⓢ II 2 G Ex db op is IIC T6 Gb  
 Ⓢ Ex d IIC T6

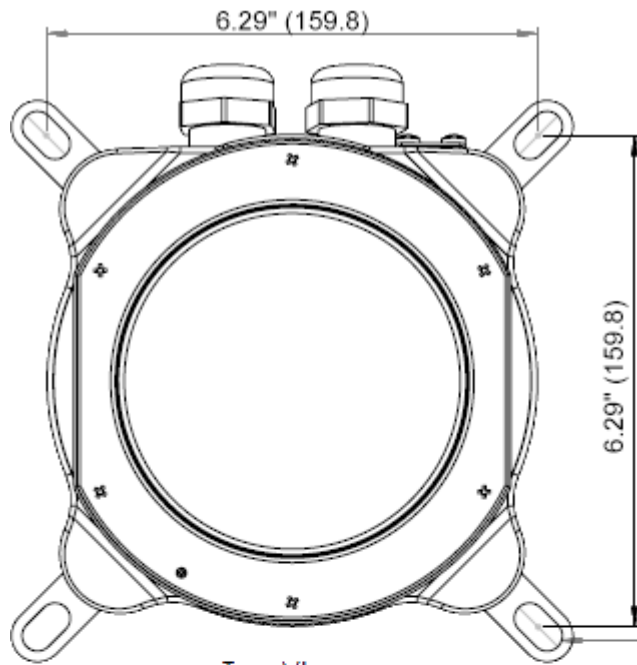
### Cable Gland (2 x included)

Atex Certificate: SIRA13ATEX1068X, SIRA13ATEX4074X  
 IECEx Certificate: IECEx SIR 13.0023X, IECEx SIM 14.0006  
 Ⓢ II 2G, II 1D Ex d IIC Gb, Ex e IIC Gb, Ex ta IIIC Da  
 Ⓢ II 3G Ex nR IIC Gc I M2 Ex d I Mb, Ex e I Mb  
 Ex d IIC Gb, Ex e IIC Gb, Ex nR IIC Gc, Ex d I Mb, Ex e I Mb

### Cable Stop (1 x included)

Atex Certificate: SIRA13ATEX1265X  
 IECEx Certificate: IECEx SIR 13.0094X, IECEx SIM 15.0002X  
 Ⓢ II 2G Ex d IIC Gb, Ex e IIC Gb, II 1D Ex ta IIIC Da  
 Ⓢ IM2 Ex d I Mb, Ex e I Mb  
 Ex d I Mb, Ex e I Mb; Ex d IIC Gb, Ex e IIC Gb, Ex ta IIIC Da

Dimensions



4X Ø 10 Mounting hole, Mount M8

