



**Flight Light Inc.**  
 2708 47th Ave.  
 Sacramento, California, U.S.A.  
 95822-3806



**HL-582L**

**PH (916) 394-2800**    **FX (916) 394-2809**  
**TF (800) 806-3548**    **EM info@flightlight.com**

**Water Resistant LED Helideck/Helipad  
 Surface Mount Perimeter Light**

- Compliances**
- FAA AC 150/5390-2C Heliport Design Guide
  - Exceeds FAA Engineering Brief 87 Specifications
  - Transport Canada TP14371, AGA 7.16
  - IP68 Compliant
  - Buy American Act Compliant

**Applications**

Our completely sealed, water resistant HL-582L surface mount perimeter light helps mark the helipad Final Approach and Takeoff (FATO) area for metal helidecks and pavement heliports. Ideal for portable heliport applications and flood-prone areas.

**Why Our HL-582L is Better**

**Superior Design and Construction**

- IP68 compliant, water resistant fixture can be submerged in water for several days and still function properly.
- Impenetrable, factory potted LED driver and LED board cavity maximizes LED life.
- Waterproof gel wire connectors eliminate the need for crimping tools.
- Low profile, 5" [12.7 cm], reduces the risk of damage to the fixture.
- Sturdy aluminum construction, 5.9 lb. [2.7 kg], stands up to heavy use.
- Standard hard anodized finish extends fixture service life.

**Easy Installation and Maintenance**

- Easy installation, light fixture body serves as junction box for electrical connections.
- Preconfigured, only add the desired cable length.
- Only two main replacement parts.
- Low maintenance LED light source has 50,000 hour lifetime (50X longer than halogen).
- Integrated mounting plate allows simple 4-bolt installation.

**Optical Performance**

- Optical performance exceeds FAA Engineering Brief 87 specifications.
- 3-Step Dimming Controller to minimize nighttime glare available.

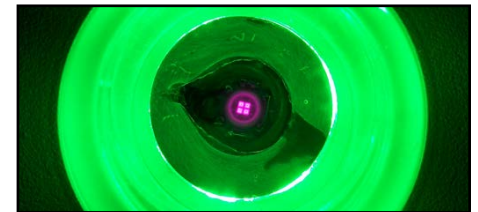


- Monochromatic output of LEDs is more conspicuous than halogen.

**Specifications**

- Construction: Machined aluminum 6061T6, anodized to MIL 8625 Type III, 1 mil thick.
- Color castings are only available with Type II, Class II (soft) anodized finish (not recommended for corrosive environment).
- Height: 5" [12.7 cm]
- Mounting plate: 6" x 6" x .19" [15.2 x 15.2 x .48 cm]
- Weight: 5.9 lb. [2.7 kg]
- Power consumption: AC input = 7.2VA; DC input = 4W; IR AC input = 10.8VA; IR DC input = 7.2W
- Available in 10-30VDC, 100-240VAC, or 277VAC versions.
- Fixture grounding: internal.
- Requires water resistant UL Cable, OD = 0.24" - 0.47" (6-12mm). Recommended AWG (varies by application): 16-3/C SOOW 600V 90C.
- Installation requires four 3/8" [9.5 mm] bolts (not provided).

- Temperature range: -4°F/+131°F (-20°C/+55°C).
- Carton size: 0.3 cu. ft. (0.01 cu. meters); 8" x 8" x 8" (20.32 x 20.32 x 20.32cm)



**Visible/Infrared LED Option**

- Night Vision Goggle (NVG) compatible.
- Infrared Output:
  - Exceeds SAE Aerospace recommendations for Landing/Taxi Lights.
  - Usable beam width: 55° to 125° vertical, 360° horizontal.
  - Output wavelength: 850nm.
  - Infrared does not dim with the "DCD" dimming option.
- Visible Output:
  - Usable beam width: 30° vertical, 360° horizontal.
  - Output wavelength: 530nm.

**Visit our web site: [www.flightlight.com](http://www.flightlight.com)**



Flight Light Inc.  
2708 47th Ave.  
Sacramento, California, U.S.A.  
95822-3806



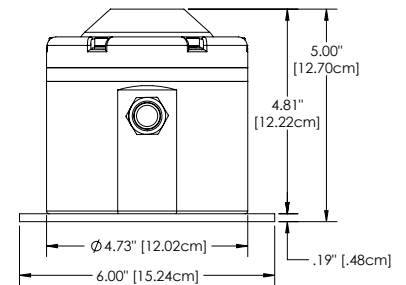
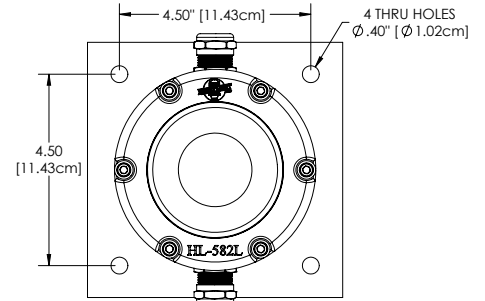
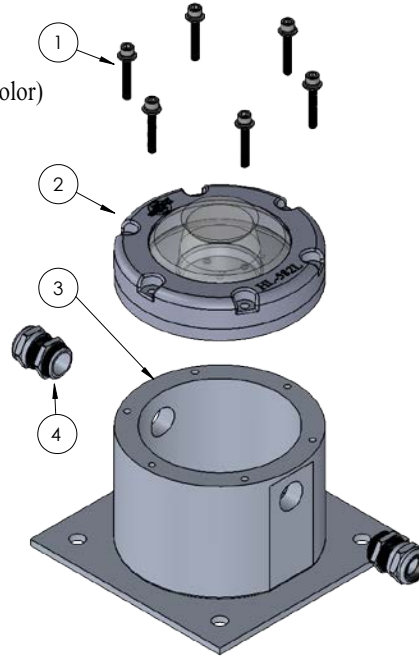
**HL-582L**

PH (916) 394-2800    FX (916) 394-2809  
TF (800) 806-3548    EM [info@flightlight.com](mailto:info@flightlight.com)

**Water Resistant LED Helideck/Helipad  
Surface Mount Perimeter Light**

**Common Replacement Parts**

- 1..... Screw Kit..... HL-582SCREWKIT
- 2..... Upper Assembly..... HL-582TOPKIT-X (X = Color)
- 3..... Lower Assembly..... HL-582BOTTOMKIT
- 4..... Cord Grip ..... 27-CD20DA-BR
- NA.... Gel Connector Kit: .... HL-582GCK



**Ordering Codes**

Fixture	LED Color	Power	Fixture Custom Color <sup>3</sup>
<b>HL-582L</b>	<b>G:</b> Green (std) <sup>1</sup> <b>B:</b> Blue <b>R:</b> Red <b>W:</b> White <b>Y:</b> Yellow <b>IR:</b> Infrared <sup>2</sup>	<b>AC:</b> 100-240VAC <b>AC3:</b> 277VAC <b>DC:</b> 10-30VDC <b>DCD:</b> 10-30VDC Dimming	<b>G:</b> Green <b>B:</b> Blue <b>MG:</b> Military Green <b>R:</b> Red <b>Y:</b> Yellow (gold)
<b>HL-582L</b>			

<sup>1</sup> Green is currently the recommended color for heliport perimeter lights.  
<sup>2</sup> Infrared must be used in conjunction with visible LEDs. Infrared does not dim with the “DCD” dimming option.  
<sup>3</sup> Dark gray hard anodized is the standard finish. Color castings are only available with Type II, Class II (soft) anodized finish (not recommended for corrosive environment).

**Photometric Comparison with  
FAA Requirements**

Vertical Angle (Deg)	FAA Spec (Cd) Min.	HL-582L Avg. Intensity (Cd)
<b>2</b>	<b>15</b>	<b>70.8</b>
<b>5</b>	<b>15</b>	<b>66.5</b>
<b>10</b>	<b>15</b>	<b>48.3</b>
<b>13</b>	<b>15</b>	<b>36.6</b>
<b>20</b>	<b>5</b>	<b>23.9</b>

Download a mounting plate template from our [website](http://www.flightlight.com).

**Visit our web site: [www.flightlight.com](http://www.flightlight.com)**



Flight Light Inc.  
2708 47th Ave.  
Sacramento, California, U.S.A.  
95822-3806



**HL-582L**

PH (916) 394-2800    FX (916) 394-2809  
TF (800) 806-3548    EM [info@flightlight.com](mailto:info@flightlight.com)

**Water Resistant LED Helideck/Helipad  
Surface Mount Perimeter Light**

### How to Specify the HL-582L LED Helideck/Helipad Surface Mount Perimeter Light

The fixture shall be model HL-582L-(LED color)-(voltage) as marked by Flight Light Inc.

#### Construction:

- The fixture height shall not exceed 5" [12.7 cm].
- The fixture shall be omnidirectional.
- The fixture shall be aluminum, hard anodized (Type III), 1 mil thick.
- Color castings shall have Type II, Class II (soft) anodized finish (not recommended for corrosive environment).
- The fixture shall have a modular design comprised of 3 major parts: Mounting Plate, Bottom Casting and Top Casting.
- The Mounting Plate shall be square 6" x 6" [15.2 x 15.2 cm] and .19" [.48 cm] thick.
- Fixture shall be ground mounted.

#### LED/Light Cavity:

- LED lifetime expectancy: 50,000 hours.
- Power consumption shall not exceed 7.2VA for AC lights, 4W for DC lights, 10.8VA for IR AC lights and 7.2W for IR DC lights.
- Infrared output wavelength: 850nm
- Infrared output usable beam width: 55° to 125° vertical, 360° horizontal
- Visible output wavelength: 530nm
- Visible output beam width: 30° vertical, 360° horizontal

#### Compliances:

- IP68 Compliant
- Buy American Act Compliant
- FAA AC 150/5390-2C Heliport Design Guide
- Optical performance exceeds FAA Engineering Brief 87 Specifications
- Transport Canada TP14371, AGA 7.16

#### Options (to be specified per each project):

- Infrared (must be used in conjunction with visible LEDs)
- Dimming (only available with the Flight Light controller)
- Fixture custom color (default color is dark grey).

**Visit our web site: [www.flightlight.com](http://www.flightlight.com)**