



Flight Light Inc.
 2708 47th Ave.
 Sacramento, California, U.S.A.
 95822-3806

PH (916) 394-2800 **FX (916) 394-2809**
TF (800) 806-3548 **EM info@flightlight.com**

EMS Helipad Kit
AV-HP-G-EMSKIT
Avlite

Features

- Range in excess of 2 miles (4km)
- Easy to configure and deploy
- Long-life, user-replaceable battery
- Ultra-high intensity LEDs
- Magnetic bases hold the lights securely in place
- Easy-to-handle case
- Robust, high impact and lightweight construction
- IP67 waterproof rating
- ON/OFF switch for easy activation
- Flashing white light with integrated IR (infrared) provides NVG signature

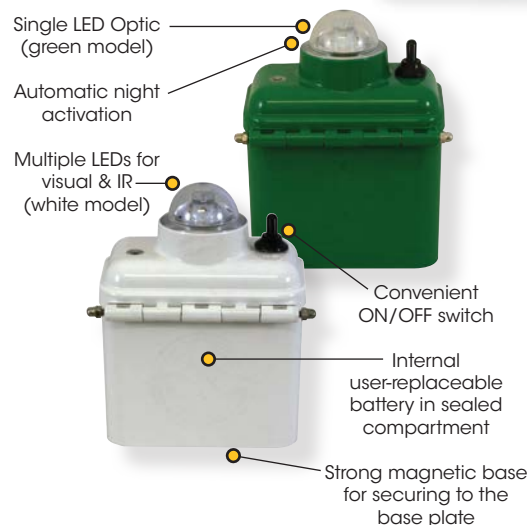
The Avlite EMS portable helipad lighting kit is ideal for medivac and other emergency situations where a temporary landing area is needed and can be easily configured and deployed to suit local requirements.

The helipad lights have a minimum range of 2 miles (4km) and an autonomy in excess of 750 hours. The standard kit contains four steady burning green lights and one flashing white visible/IR (infrared) light.

The Avlite EMS Helipad Kit provides temporary lighting at emergency landing zones. The lights have a strong magnetic base to hold them securely on the steel base plates provided, preventing them from being dislodged by rotor wash. The steel plates come in high visibility aviation yellow.

The batteries are easily replaced by the user and the kit comes standard with high powered, readily available, air alkaline batteries.

All components are neatly housed in a sturdy storage case on wheels for easy and convenient transportation.



The EMS Helipad kit consists of:

- 4 x steady-on green helipad lights
- 1 x flashing white with IR helipad light
- 5 x steel mounting plates
- Storage case

All components are stored in a convenient, portable, easy-to-handle case



Visit our web site: www.flightlight.com



Flight Light Inc.
 2708 47th Ave.
 Sacramento, California, U.S.A.
 95822-3806

PH (916) 394-2800
TF (800) 806-3548

FX (916) 394-2809
EM info@flightlight.com

EMS Helipad Kit
AV-HP-G-EMSKIT
Avlite

SPECIFICATIONS * * AV-HP-G-EMSKIT

Light Characteristics

Light Source
 Available Colors
 LED Life Expectancy (hours)

Green model: 1 Watt ultra-high intensity LED with positive divergence
 White/IR model: 1 Watt ultra-high intensity LED & 3x IR high intensity LEDs
 Green, White/IR
 >100,000

Electrical Characteristics

Voltage (V) 6
 Temperature Range -40 to 80°C

Power Supply

Battery Type Air Alkaline
 Battery Capacity (Ah) 45
 Nominal Voltage (v) 6v

Physical Characteristics

Battery Housing LEXAN® Polycarbonate - UV stabilized
 Lens Material Acrylic
 Lens Design Total Internal Refraction
 Mounting 2 x magnets
 Height (mm/inches) 180 / 7
 Width (mm/inches) 146 / 5¾
 Depth (mm/inches) 108 / 4¼
 Mass (kg/lbs) 1.5 / 3⅓

Certifications

Quality Assurance ISO9001:2008
 Waterproof IP67

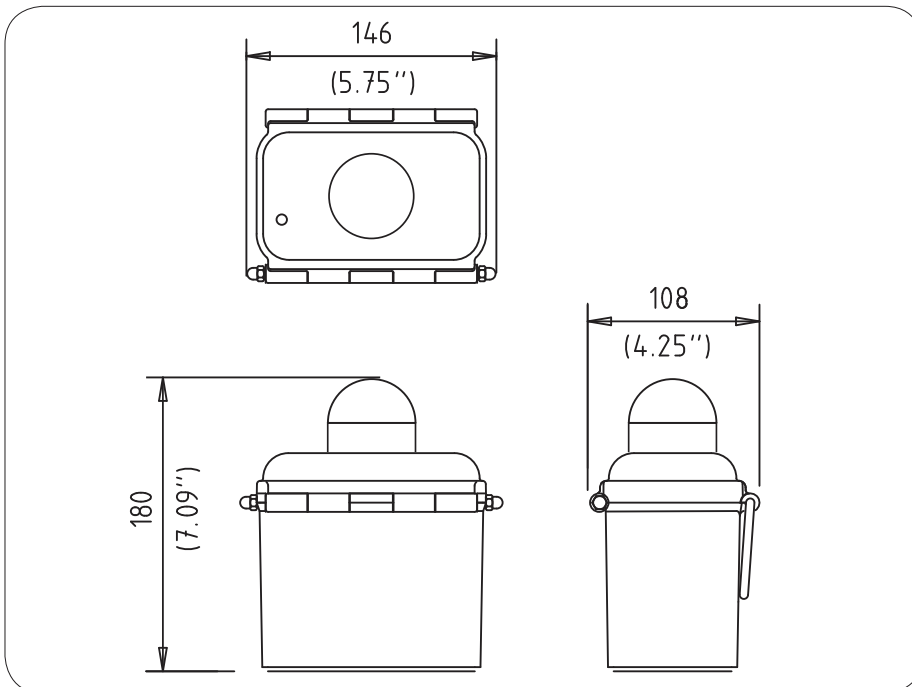
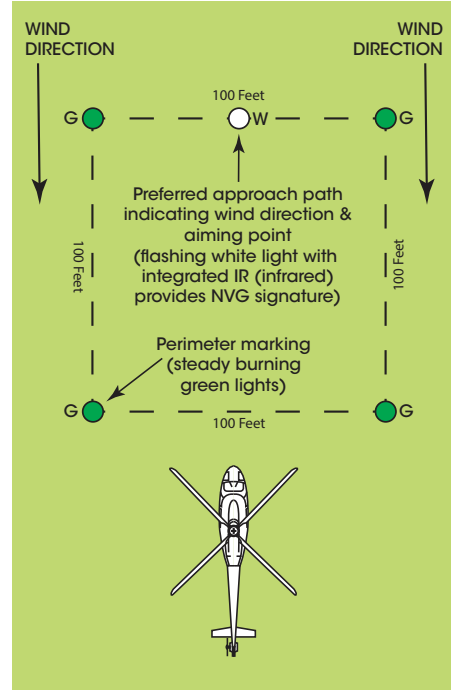
Intellectual Property

Trademarks AVLITE® is a registered trademark of Avlite Systems

Warranty *

1 year

- Specifications subject to change or variation without notice
- * Subject to standard terms and conditions



Visit our web site: www.flightlight.com