



Flight Light Inc.
 2708 47th Ave.
 Sacramento, California, U.S.A.
 95822-3806



PH (916) 394-2800 **FX (916) 394-2809**
TF (800) 806-3548 **EM info@flightlight.com**

HL-592L
LED Helideck
Surface Mount Perimeter Light

- Compliances**
- FAA AC 150/5390-2C Heliport Design Guide
 - Exceeds FAA Engineering Brief 87 Specifications
 - Transport Canada TP14371, AGA 7.16
 - US Army Aviation Lighting Manual TM 5-811-5, Fig. 5-3
 - IP68 Compliant
 - Buy American Act Compliant

Applications

Our HL-592L surface mount perimeter light helps mark the helipad Final Approach and Takeoff (FATO) area for metal helidecks and pavement heliports. Ideal for portable heliport applications.

Why Our HL-592L is Better

Superior Design and Construction

- Low profile, 4.175" [10.6 cm], reduces the chances of being damaged.
- Sturdy aluminum construction, 5 lb. [2.3 kg], stands up to heavy use.
- Standard hard anodized finish extends fixture service life.
- Factory sealed, moisture proof light cavity maximizes LED life.

Easy Installation and Maintenance

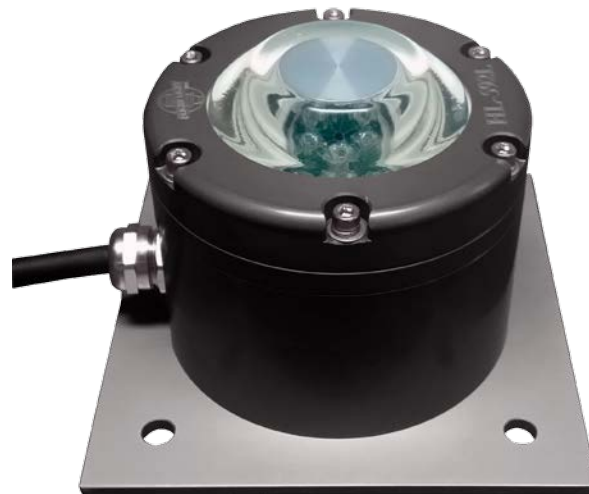
- Lens and/or LED can be replaced while fixture remains installed - does not require adhesives or sealants.
- Low maintenance LED light source has 50,000 hour lifetime (50X longer than halogen).
- Integrated mounting plate allows simple 4-bolt installation.

Optical Performance

- Optical performance exceeds FAA Engineering Brief 87 specifications.
- 3-Step Dimming Controller to minimize nighttime glare available.
- Monochromatic output of LEDs is more conspicuous than halogen.

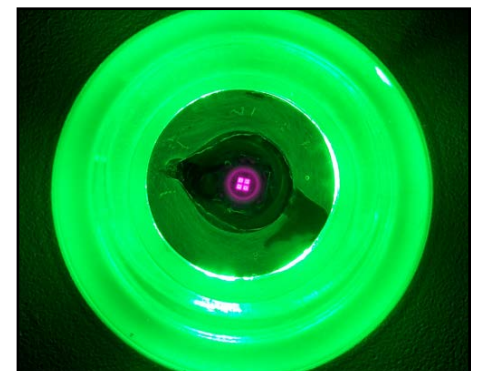
Specifications

- Construction: Machined aluminum 6061T6, anodized to MIL 8625 Type III, 1 mil thick.
- Color castings are only available with Type II, Class II (soft) anodized finish.
- Height: 4.175" [10.6 cm]



Only 4.175" [10.6 cm] in height.

- Mounting plate: 6" x 6" x .19" [15.2 x 15.2 x .48 cm]
- Weight: 5 lb. [2.3 kg]
- Power consumption: AC input = 7.2VA; DC input = 4W; IR AC input = 10.8VA; IR DC input = 4.5W
- Fixture can be used with 100-240VAC or 10-30VDC.
- Fixture grounding: internal.
- Includes 48" [122 cm] of UL SO Cable 16AWG.
- Installation requires four 3/8" [9.5 mm] bolts (not provided).
- Temperature range: -4°F/+131°F (-20°C/+55°C).
- Carton size: 0.3 cu. ft. (0.01 cu. meters); 8" x 8" x 8" (20.32 x 20.32 x 20.32cm)



Visible/Infrared LED Option

- Night Vision Goggle (NVG) compatible.
- Infrared Output:
 - Exceeds SAE Aerospace recommendations for Landing/Taxi Lights.
 - Usable beam width: 55° to 125° vertical, 360° horizontal.
 - Output wavelength: 850nm.
- Visible Output:
 - Usable beam width: 30° vertical, 360° horizontal.
 - Output wavelength: 530nm.

Visit our web site: www.flightlight.com



Flight Light Inc.
 2708 47th Ave.
 Sacramento, California, U.S.A.
 95822-3806

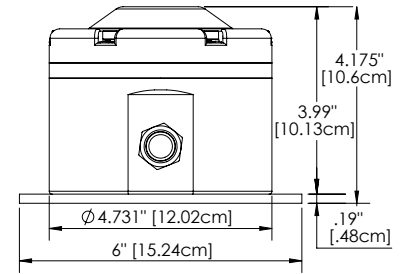
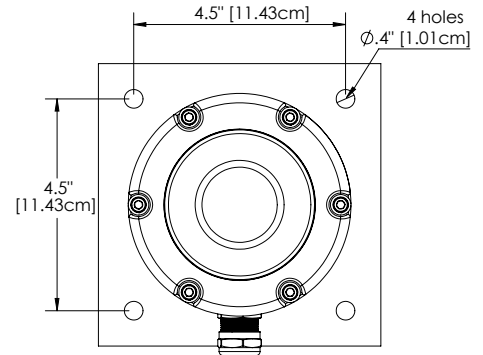
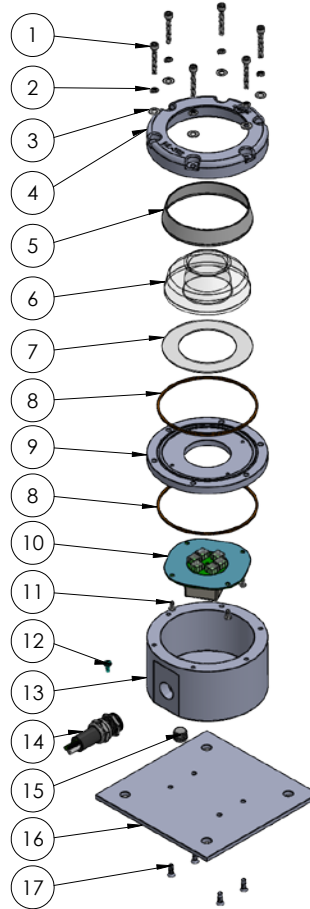


HL-592L
LED Helideck
Surface Mount Perimeter Light

PH (916) 394-2800 **FX (916) 394-2809**
TF (800) 806-3548 **EM info@flightlight.com**

Common Replacement Parts

- 1.....10-32 304 SS 1-1/4" [32 mm] Long Screw ..NS-92196A705
 - 2.....10 304 SS Split Lock Washer..... NS-92146A550
 - 3.....10 304 SS Flat Washer NS-92141A011
 - 4.....HL-592L Top Casting..... 16-592MA
 - 5.....Prism Gasket 80-033090
 - 6.....Clear Prism Dome 80-016080
 - 7.....Prism Clamp Teflon Gasket 27-492CG
 - 8.....O-Ring..... 27-9396K175
 - 9.....HL-592L Prism Clamp 16-592-PCA
 - 10.....FAA LED Driver & Board HL-XL9KIT-AC*
 - ALT ..FAA LED Driver & Board DC..... HL-XL9KIT-DC*
 - ALT ..FAA LED Driver & Board IR HL-XL9KIT-IR*
 - ALT ..LED Diver & Board Dimming..... HL-XL9KIT-D*
 - 11.....6 18-8 SS 5/16" [7.9 mm] Long Screw NS-92525A313
 - 12.....6-32 Ground Screw Green..... NS-92597A100
 - 13.....HL-592L Bottom Casting..... 16-592-BOTTOM
 - 14.....Power Cord Assembly..... 16-592PCA
 - 15.....Plug Pipe 1/4" Hex Socket SS..... HA-PP000001
 - 16.....Mounting Plate..... 16-592MP
 - 17.....8-32 304 SS 1/2" [13 mm] Long Screw NS-91771A194
- * For LED Driver & Board Kits, X = Color



Download a mounting plate template from our [website](#).

Photometric Comparison with FAA Requirements

Vertical Angle (Deg)	FAA Spec (Cd) Min.	HL-592L Avg. Intensity (Cd)
2	15	70.8
5	15	66.5
10	15	48.3
13	15	36.6
20	5	23.9

Ordering Codes

Fixture	LED Color	Voltage	Fixture Custom Color ³
HL-592L	G: Green (std) ¹ B: Blue R: Red W: White Y: Yellow IR: Infrared ²	AC: 100-240VAC DC: 10-30VDC DCD: 10-30VDC Dimming	G: Green B: Blue MG: Military Green R: Red Y: Yellow (gold)
HL-592L			

¹ Green is currently the recommended color for heliport perimeter lights.
² Infrared must be used in conjunction with visible LEDs.
³ Dark gray hard anodized is the standard finish. Color castings are only available with Type II, Class II (soft) anodized finish.

Visit our web site: www.flightlight.com



Flight Light Inc.
2708 47th Ave.
Sacramento, California, U.S.A.
95822-3806



PH (916) 394-2800 FX (916) 394-2809
TF (800) 806-3548 EM info@flightlight.com

HL-592L
LED Helideck
Surface Mount Perimeter Light

How to Specify the HL-592L LED Helideck Surface Mount Perimeter Light

The fixture shall be model HL-592L-(LED color)-(voltage) as marked by Flight Light Inc.

Construction:

- The fixture height shall not exceed 4.175" [10.6 cm].
- The fixture shall be omnidirectional.
- The fixture shall be aluminum, hard anodized (Type III), 1 mil thick.
- Color castings shall have Type II, Class II (soft) anodized finish.
- The fixture shall have a modular design comprised of 3 major parts: Mounting Plate, Bottom Casting and Top Casting. The Bottom and Top Casting are sealed by means of a Prism Clamp and O-ring.
- The Mounting Plate shall be square 6" x 6" [15.2 x 15.2 cm] and .19" [.48 cm] thick.
- Fixture shall be ground mounted.
- The fixture shall include 48" [122 cm] of UL SO Cable 16AWG.

LED/Light Cavity:

- LED and lens shall be field replaceable.
- LED lifetime expectancy: 50,000 hours.
- Power consumption shall not exceed 7.2VA for AC lights, 4W for DC lights, 10.8VA for IR AC lights and 4.5W for IR DC lights.
- Infrared output wavelength: 850nm
- Infrared output usable beam width: 55° to 125° vertical, 360° horizontal
- Visible output wavelength: 530nm
- Visible output beam width: 30° vertical, 360° horizontal

Compliances:

- IP68 Compliant
- Buy American Act Compliant
- FAA AC 150/5390-2C Heliport Design Guide
- Optical performance exceeds FAA Engineering Brief 87 Specifications
- US Army Aviation Lighting Manual TM 5-811-5, Fig 5.3
- Transport Canada TP14371, AGA 7.16

Options (to be specified per each project):

- Infrared (must be used in conjunction with visible LEDs)
- Dimming (only available with the Flight Light controller)
- Fixture custom color (default color is dark grey).

Visit our web site: www.flightlight.com