



Flight Light Inc.
2708 47th Ave.
Sacramento, California, U.S.A.
95822-3806

PH (916) 394-2800 FX (916) 394-2809
TF (800) 806-3548 EM info@flightlight.com

HL-490L Stainless Steel 6" Helideck Semi-Flush Perimeter Inset Light

- Compliances**
- FAA AC 150/5390-2C Heliport Design Guide
 - Exceeds FAA Engineering Brief 87 Specifications
 - ICAO Annex 14, Volume II for TLOF
 - UL 1598 Standard (only "AC" lamp is UL listed)
 - Transport Canada TP14371, AGA 7.16
 - IP68 Compliant
 - Buy American Act Compliant

Applications

Semi-flush stainless steel perimeter light helps mark helipad touchdown and lift-off area (TLOF) and/or final approach and takeoff area (FATO) for metal helidecks and pavement heliports.

Why Our HL-490L is Better

- Stainless steel construction better resists salt, chemicals, and weather exposure.
- Nitric acid passivated to maximize the essential corrosion resistance.
- Small 6" [15.24 cm] fixture easily drops into metal helideck, fastens with 4 bolts.
- Recessed, semi-flush mounted, allows for obstruction-free movement of equipment and personnel.
- Fixture sealed to bottom cover to prevent moisture intrusion.
- Prism removal and replacement achieved without need for adhesives or sealants.
- Pre-focused optics simplify maintenance.
- Cost-saving, energy-efficient LEDs.
- Power adapter included.
- Low maintenance - LED light source has 50,000 hour lifetime (50X longer than halogen).
- Monochromatic output of LEDs is more conspicuous than halogen.
- Fixture can be used with 100-240VAC or 10-30VDC.
- With our Dimming Controller option, the lights can be dimmed at night to reduce glare - select from three brightness levels.
- Available for non-heliport applications such as architectural lighting.

Specifications

- Construction: 304 stainless steel passivated with nitric acid.
- 316 stainless steel hardware.
- Low profile: .86" [2.18 cm] (base can mounted), 1.11" [2.82 cm] (helideck mounted).
- Diameter: 6" [15.24 cm]
- Bolt circle: 5.25" [13.34 cm]
- Power consumption: AC input = 7.2VA; DC input = 4W; IR AC input = 10.8VA; IR DC input = 4.5W
- Light channel within .2" (.51 cm) of grade.
- Fixture grounding: internal.
- Includes 48" [122 cm] of UL SO Cable 16AWG (UL Version).
- Weight: 7.5 lb. (3.4 kg). Carton size: .3 cu. ft. (.008 cu. meters); 8" (d) x 8" (w) x 8" (h) (20.3 cm (w) x 20.3 cm (d) x 20.3 cm (h))

Visible/Infrared LED Option

- Night Vision Goggle (NVG) compatible.
- Infrared Output:
 - Exceeds SAE Aerospace recommendations for Landing/Taxi Lights.
 - Usable beam width: 55° to 125° vertical, 360° horizontal.
 - Output wavelength: 850nm.
 - Infrared does not dim with the "DCD" dimming option.
- Visible Output:
 - Exceeds ICAO TLOF requirements for green LEDs (see photometric chart).
 - Usable beam width: 30° vertical, 360° horizontal.
 - Output wavelength: 530nm.



Visit our web site: www.flightlight.com



Flight Light Inc.
 2708 47th Ave.
 Sacramento, California, U.S.A.
 95822-3806

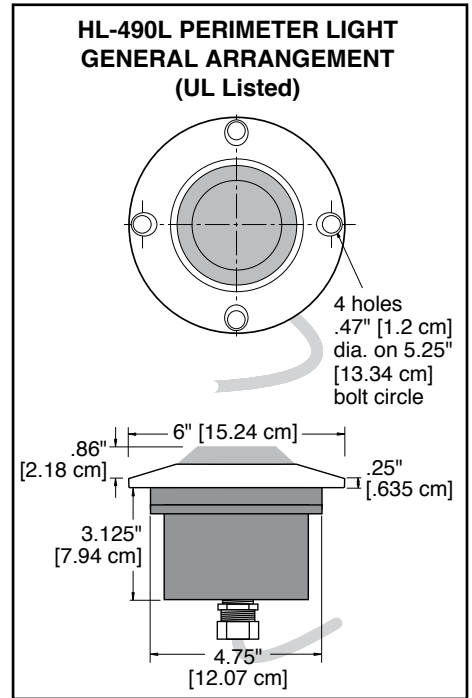
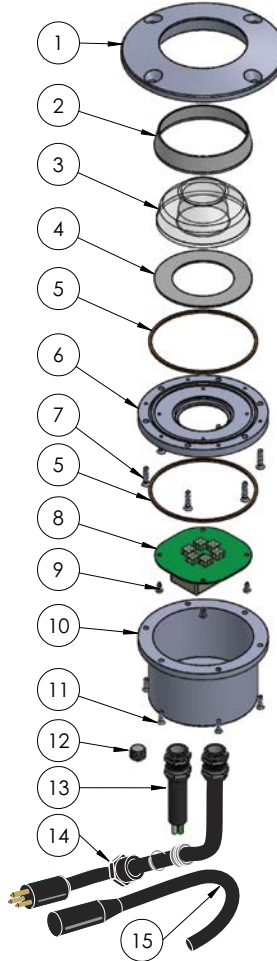
PH (916) 394-2800 FX (916) 394-2809
TF (800) 806-3548 EM info@flightlight.com

HL-490L
Stainless Steel
6" Helideck Semi-Flush
Perimeter Inset Light

Common Replacement Parts

- 1.....HL-490L Top Casting.....16-490MN
- 2.....Prism Gasket80-033090
- 3.....Clear Prism Dome80-016080
- 4.....Prism Clamp Teflon Gasket.....27-492CG
- 5.....O-ring27-9396K175
- 6.....HL-490L Prism Clamp16-490PLTMN
- 7.....8-32 316SS 0.75" Long ScrewsNS-91500A197
- 8.....AC LED Replacement Kit.....HL-XL9KITB-AC*
- ALT ...DC LED Replacement KitHL-XL9KITB-DC*
- ALT ...UL LED Replacement Kit.....HL-XL9KITB-UL*
- ALT ...Dimming LED Replacement KitHL-XL9KITB-D*
- 9.....No. 6 304SS Screws.....NS-S0632X025PPMSP
- 10.....HL-490L Bottom Casting.....16-490-BOTTOM2 5/8M
- 11.....6-32 316SS 0.5" Long Screw.....NS-91500A148
- 12.....Pipe Fitting.....HA-PP000001
- 13.....UL Cable Assembly20-CABLE-ASSY-UL
- 14.....Cable Assembly with Male Plug.....20-CABLE-ASSY**
- 15.....Cable Assembly with Female PlugTRC-0395MR7Q-0.5**

* For LED Replacement Kits, X = Color
 ** Not UL listed.



Base Can

A 6" [15.24 cm] deep base can is required for pavement installations. Part #: BA-525-6



Ordering Codes

Fixture	LED Color	Voltage	Options
HL-490L	G: Green (std) ¹ B: Blue R: Red W: White Y: Yellow IR: Infrared ²	AC: 100-240VAC ³ DC: 10-30VDC ⁴ DCD: 10-30VDC Dimming ⁴	UL: UL Listed ³
HL-490L			

¹ Green is currently the recommended color for heliport perimeter lights.
² Infrared must be used in conjunction with visible LEDs. Infrared does not dim with the "DCD" dimming option.
³ Only "AC" lamp option can be UL listed. Connector not included. UL labeled fixtures only available for shipment to U.S. and Canada.
⁴ Lamp option is not UL listed.

Photometric Comparison with ICAO Requirements for TLOF

Vertical Angle (Deg)	Avg. Intensity (Cd)	ICAO Spec (Cd)
2	70.8	15
5	66.5	30
10	48.3	15
13	36.6	8
20	23.9	3

Visit our web site: www.flightlight.com



Flight Light Inc.
2708 47th Ave.
Sacramento, California, U.S.A.
95822-3806

PH (916) 394-2800 FX (916) 394-2809
TF (800) 806-3548 EM info@flightlight.com

HL-490L
Stainless Steel
6" Helideck Semi-Flush
Perimeter Inset Light

How to Specify the HL-490L LED Helideck Semi-Flush Perimeter Light

The fixture shall be model HL-490L-(LED color)-(voltage) as marked by Flight Light Inc.

Construction:

- The fixture shall be 6" [15.24 cm] diameter, 5.25" [13.34 cm] bolt circle.
- The fixture shall be omnidirectional.
- The fixture shall be 304 stainless steel with nitric acid passivation.
- The fixture shall have a modular design comprised of 2 major parts: Bottom Casting and Top Casting. The Bottom and Top Casting are sealed by means of a Prism Clamp and O-ring.
- Hardware shall be 316 stainless steel.
- Fixture shall ground internally.
- The fixture shall include 48" [122 cm] of UL SO Cable 16AWG (UL Version).

LED/Light Cavity:

- LED lifetime expectancy: 50,000 hours.
- Power consumption shall not exceed 7.2VA for AC lights, 4W for DC lights, 10.8VA for IR AC lights and 4.5W for IR DC lights.
- Infrared output wavelength: 850nm
- Infrared output usable beam width: 55° to 125° vertical, 360° horizontal
- Visible output wavelength: 530nm
- Visible output beam width: 30° vertical, 360° horizontal

Compliances:

- IP68 Compliant
- Buy American Act Compliant
- FAA AC 150/5390-2C Heliport Design Guide
- ICAO Annex 14, Volume II for TLOF
- Optical performance exceeds FAA Engineering Brief 87 Specifications
- Transport Canada TP14371, AGA 7.16

Options (to be specified per each project):

- Infrared (must be used in conjunction with visible LEDs)
- Dimming (only available with the Flight Light controller)
- UL Listed fixture
- 6" [15.24 cm] Deep Base Can for ground installation.

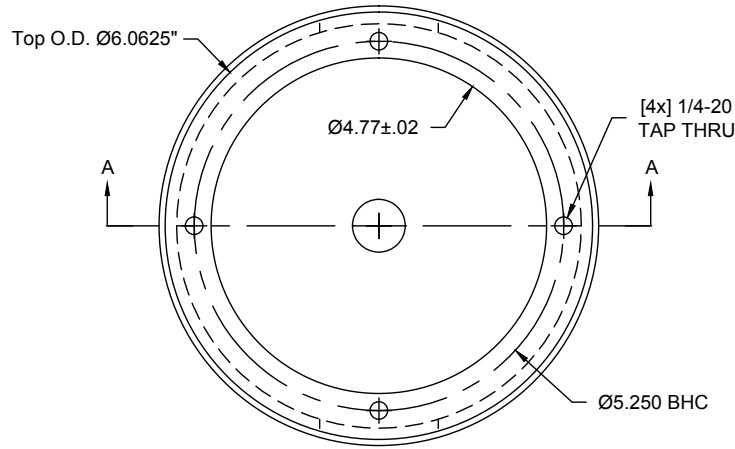
Visit our web site: www.flightlight.com



Flight Light Inc.
 2708 47th Ave.
 Sacramento, California, U.S.A.
 95822-3806

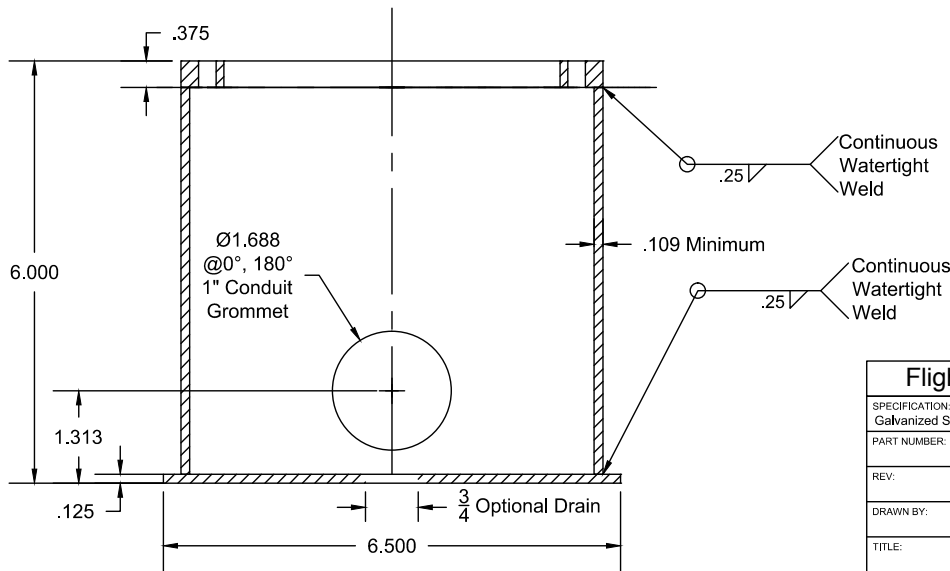
PH (916) 394-2800 FX (916) 394-2809
 TF (800) 806-3548 EM info@flightlight.com

HL-490L Stainless Steel 6" Helideck Semi-Flush Perimeter Inset Light



Notes:
 1.) Grommets are placed @ 0° & 180°
 2.) Flange Flatness is ±.010 [.254mm]
 3.) Optional Drain

Additional Product Information:
 1) Bolt holes are drilled and tapped after galvanizing.
 2) Conduit holes are located on the bolt hole axis of the flange with an angular tolerance of +/- 1.
 3) Four 18-8 stainless steel Phillips, Flat Head Countersunk Screws 1/4-20UNC X 1" fully threaded bolts shipped with each container. Wood lid has two holes drilled at 0-180. Two bolts are shipped loose.
 5) This product is hot dipped galvanized in accordance with standard specifications for zinc coating on iron and steel hardware. ASTM A 153, ASTM A 385, ASTM A123.



x/x=.030 .xx=.010 .xxx=.005 .xxxx=.0005
All dimensions in inches unless otherwise specified

Flight Light Inc. • www.flightlight.com			
SPECIFICATION: Galvanized Steel			
PART NUMBER:		DATE:	
REV:	SIZE: A	SCALE: 1:2	SHEET OF 1 1
DRAWN BY:	ENGINEER:	CHECKED BY:	
TITLE: 6" Base (P/N BA-525-6)			

Visit our web site: www.flightlight.com